

YE4 Series Ultra- High Efficiency Three Phase Induction Motors

FRAME: 80~355

POWER: 0.37~400kW

DUTY: S1

COOLING: IC411

EFFICIENCY: GB18613-2012 1CLASS (IE 4CLASS)

Applications: Can be applied in the machines where continuous duty is required, like pumps, fans, machine etc.

Features: Beautiful profile, high efficiency and energy saving(Level 1 of GB18613-2012), class F insulation, IP55 protection grade, low noise, little vibration, reliable running.

Performance Data

380V 50Hz

Type	kW	A	r/min	Eff.%	P.F	N.m	$\frac{T_{st}}{T_N}$	$\frac{I_{st}}{I_N}$	$\frac{T_{max}}{T_N}$	dB(A)
3000 r/min										
YE4-80M1-2	0.75	1.6	2895	84.9	0.83	2.5	2.2	7.0	2.3	62
YE4-80M2-2	1.1	2.3	2885	86.7	0.83	3.7	2.2	7.3	2.3	62
YE4-90S-2	1.5	3.1	2880	87.5	0.84	5.0	2.2	7.6	2.3	67
YE4-90L-2	2.2	4.4	2875	89.1	0.85	7.3	2.2	7.6	2.3	67
YE4-100L-2	3	5.8	2905	89.7	0.87	9.9	2.2	7.8	2.3	74
YE4-112M-2	4	7.6	2920	90.3	0.88	13.1	2.2	8.3	2.3	77
YE4-132S1-2	5.5	10.4	2945	91.5	0.88	17.8	2.0	8.3	2.3	79
YE4-132S2-2	7.5	14.1	2940	92.1	0.88	24.4	2.0	7.9	2.3	79
YE4-160M1-2	11	20.2	2965	93.0	0.89	35.4	2.0	8.1	2.3	81
YE4-160M2-2	15	27.4	2965	93.4	0.89	48.3	2.0	8.1	2.3	81
YE4-160L-2	18.5	33.7	2965	93.8	0.89	59.6	2.0	8.2	2.3	81
YE4-180M-2	22	39.8	2970	94.4	0.89	70.7	2.0	8.2	2.3	83
YE4-200L1-2	30	54.2	2960	94.5	0.89	96.8	2.0	7.6	2.3	84
YE4-200L2-2	37	66.6	2960	94.8	0.89	119	2.0	7.6	2.3	84
YE4-225M-2	45	79.9	2970	95.1	0.90	144.7	2.0	7.7	2.3	86
YE4-250M-2	55	97.3	2975	95.4	0.90	177	2.0	7.7	2.3	89
YE4-280S-2	75	132	2980	95.6	0.90	240	1.8	7.1	2.3	91
YE4-280M-2	90	159	2975	95.8	0.90	289	1.8	7.1	2.3	91
YE4-315S-2	110	193	2985	96.0	0.90	352	1.8	7.1	2.3	92
YE4-315M-2	132	232	2985	96.0	0.90	422	1.8	7.1	2.3	92

Performance Data

380V 50Hz

Type	kW	A	r/min	Eff.%	P.F	N.m	$\frac{T_{st}}{T_N}$	$\frac{I_{st}}{I_N}$	$\frac{T_{max}}{T_N}$	dB(A)
3000 r/min										
YE4-315L1-2	160	278	2985	96.2	0.91	512	1.8	7.2	2.3	92
YE4-315L-2	185	321	2985	96.2	0.91	592	1.8	7.2	2.3	92
YE4-315L2-2	200	347	2985	96.3	0.91	640	1.8	7.2	2.2	92
YE4-315L3-2	220	381	2985	96.3	0.91	704	1.8	7.2	2.2	92
YE4-315L4-2	250	433	2985	96.4	0.91	800	1.6	7.2	2.2	92
YE4-355M1-2	220	381	2985	96.3	0.91	704	1.8	7.2	2.2	100
YE4-355M-2	250	433	2985	96.4	0.91	800	1.6	7.2	2.2	100
YE4-355L1-2	280	485	2985	96.4	0.91	896	1.6	7.2	2.2	100
YE4-355L-2	315	545	2985	96.5	0.91	1008	1.6	7.2	2.2	100
YE4-355 1-2	355	614	2985	96.6	0.91	1136	1.6	7.2	2.2	104
YE4-355 2-2	375	648	2985	96.6	0.91	1200	1.6	7.2	2.2	104
1500 r/min										
YE4-80M1-4	0.55	1.3	1435	83.8	0.75	3.7	2.3	6.5	2.3	56
YE4-80M2-4	0.75	1.8	1440	85.6	0.75	5.0	2.3	6.6	2.3	56
YE4-90S-4	1.1	2.5	1445	87.4	0.76	7.3	2.3	6.8	2.3	59
YE4-90L-4	1.5	3.4	1440	88.1	0.77	9.9	2.3	7.0	2.3	59
YE4-100L1-4	2.2	4.6	1455	89.7	0.81	14.4	2.3	7.6	2.3	64
YE4-100L2-4	3	6.2	1455	90.3	0.82	19.7	2.3	7.6	2.3	64
YE4-112M-4	4	8.2	1460	90.9	0.82	26.2	2.2	7.8	2.3	65
YE4-132S-4	5.5	10.9	1475	92.1	0.83	35.6	2.0	7.9	2.3	71
YE4-132M-4	7.5	14.7	1470	92.6	0.84	48.7	2.0	7.5	2.3	71
YE4-160M-4	11	21.0	1470	93.6	0.85	71.5	2.0	7.7	2.3	73
YE4-160L-4	15	28.2	1470	94.0	0.86	97.4	2.0	7.8	2.3	73
YE4-180M-4	18.5	34.7	1475	94.3	0.86	120	2.0	7.8	2.3	76
YE4-180L-4	22	41.0	1475	94.7	0.86	142	2.0	7.8	2.3	76
YE4-200L-4	30	55.8	1480	95.0	0.86	194	2.0	7.3	2.3	76
YE4-225S-4	37	68.6	1485	95.3	0.86	238	2.0	7.4	2.3	78
YE4-225M-4	45	83.2	1485	95.6	0.86	289	2.0	7.4	2.3	78
YE4-250M-4	55	101	1485	95.8	0.86	354	2.0	7.4	2.3	79
YE4-280S-4	75	135	1490	96.0	0.88	481	2.0	6.7	2.3	80
YE4-280M-4	90	162	1490	96.2	0.88	577	2.0	6.9	2.3	80
YE4-315S-4	110	195	1490	96.4	0.89	705	2.0	7.0	2.2	88
YE4-315M-4	132	234	1490	96.5	0.89	846	2.0	7.0	2.2	88
YE4-315L1-4	160	283	1490	96.5	0.89	1026	2.0	7.1	2.2	88
YE4-315L-4	185	327	1490	96.5	0.89	1186	2.0	7.1	2.2	88
YE4-315L2-4	200	350	1490	96.6	0.90	1282	2.0	7.1	2.2	88
YE4-315L3-4	220	384	1490	96.6	0.90	1410	2.0	7.1	2.2	88
YE4-315L4-4	250	436	1480	96.7	0.90	1613	2.0	7.1	2.2	88
YE4-355M1-4	220	384	1490	96.6	0.90	1410	2.0	7.1	2.2	95
YE4-355M-4	250	436	1495	96.7	0.90	1597	2.0	7.1	2.2	95

Performance Data

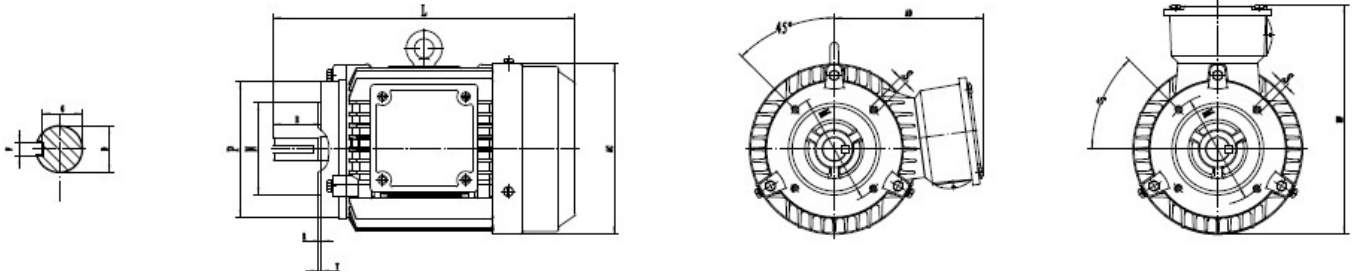
380V 50Hz

Type	kW	A	r/min	Eff.%	P.F	N.m	$\frac{T_{st}}{T_N}$	$\frac{I_{st}}{I_N}$	$\frac{T_{max}}{T_N}$	dB(A)
1500 r/min										
YE4-355L1-4	280	489	1495	96.7	0.90	1789	2.0	7.1	2.2	95
YE4-355L-4	315	549	1495	96.8	0.90	2012	2.0	7.1	2.2	95
YE4-3551-4	355	633	1490	96.8	0.88	2275	1.7	7.0	2.2	102
YE4-3552-4	375	669	1490	96.8	0.88	2404	1.7	7.0	2.2	102
1000 r/min										
YE4-90S-6	0.75	1.9	955	83.1	0.71	7.5	2.0	6.0	2.1	57
YE4-90L-6	1.1	2.7	955	84.1	0.73	11.0	2.0	6.0	2.1	57
YE4-100L-6	1.5	3.6	960	86.2	0.73	14.9	2.0	6.5	2.1	61
YE4-112M-6	2.2	5.2	975	87.1	0.74	21.5	2.0	6.6	2.1	65
YE4-132S-6	3	6.9	985	88.7	0.74	29.1	1.9	6.8	2.1	69
YE4-132M1-6	4	9.2	985	89.7	0.74	38.8	1.9	6.8	2.1	69
YE4-132M2-6	5.5	12.4	985	89.5	0.75	53.3	1.9	7.0	2.1	69
YE4-160M-6	7.5	16.0	980	90.2	0.79	73.1	2.0	7.0	2.1	70
YE4-160L-6	11	22.8	980	91.5	0.80	107	2.0	7.2	2.1	70
YE4-180L-6	15	30.4	990	92.5	0.81	145	1.9	7.3	2.1	73
YE4-200L1-6	18.5	37.3	980	93.1	0.81	180	1.9	7.3	2.1	73
YE4-200L2-6	22	43.9	985	93.9	0.81	213	1.9	7.4	2.1	73
YE4-225M-6	30	58.2	990	94.3	0.83	289	1.9	6.9	2.1	74
YE4-250M-6	37	70.7	990	94.6	0.84	357	1.9	7.1	2.1	76
YE4-280S-6	45	84.8	990	94.9	0.85	434	1.9	7.3	2.0	78
YE4-280M-6	55	102	990	95.2	0.86	531	1.9	7.3	2.0	78
YE4-315S-6	75	142	990	95.4	0.84	723	1.9	6.6	2.0	83
YE4-315M-6	90	168	990	95.6	0.85	868	1.9	6.7	2.0	83
YE4-315L1-6	110	206	990	95.6	0.85	1061	1.9	6.7	2.0	83
YE4-315L2-6	132	243	990	95.8	0.86	1273	1.9	6.8	2.0	83
YE4-315L3-6	160	294	990	96.0	0.86	1543	1.9	6.8	2.0	83
YE4-315L4-6	185	340	990	96.0	0.86	1785	1.9	6.8	2.0	83
YE4-355M1-6	160	294	995	96.0	0.86	1536	1.9	6.8	2.0	85
YE4-355M-6	185	340	995	96.0	0.86	1776	1.9	6.8	2.0	85
YE4-355M2-6	200	363	995	96.1	0.87	1920	1.9	6.8	2.0	85
YE4-355L1-6	220	400	995	96.1	0.87	2112	1.9	6.8	2.0	85
YE4-355L-6	250	454	995	96.1	0.87	2399	1.9	6.8	2.0	85
YE4-3551-6	280	509	995	96.1	0.87	2687	1.9	6.8	2.0	91
YE4-3552-6	315	579	995	96.1	0.86	3023	1.9	6.8	2.0	91
YE4-355L4-6	355	653	995	96.1	0.86	3407	1.9	6.8	2.0	91

Dimensions

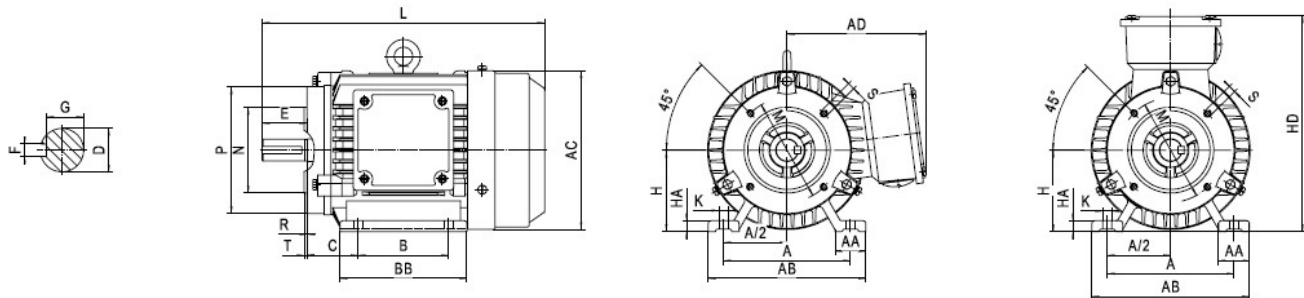
mm

B14



Frame	Poles	Mounting Dimension										Overall Dimension			
		D	E	F	G	M	N	P	R	S	T	AC	AD	HF	L
80M	2,4,6	19	40	6	15.5	100	80	120	0	4-M6	3	165	145	225	305
90S	2,4,6	24	50	8	20	115	95	140	0	4-M8	3	180	165	255	360
90L	2,4,6														385
100L	2,4,6	28	60	8	24	130	110	160	0	4-M8	3.5	205	175	275	445
112M	2, 4, 6	28	60	8	24	130	110	160	0	4-M8	3.5	225	190	300	455

B34

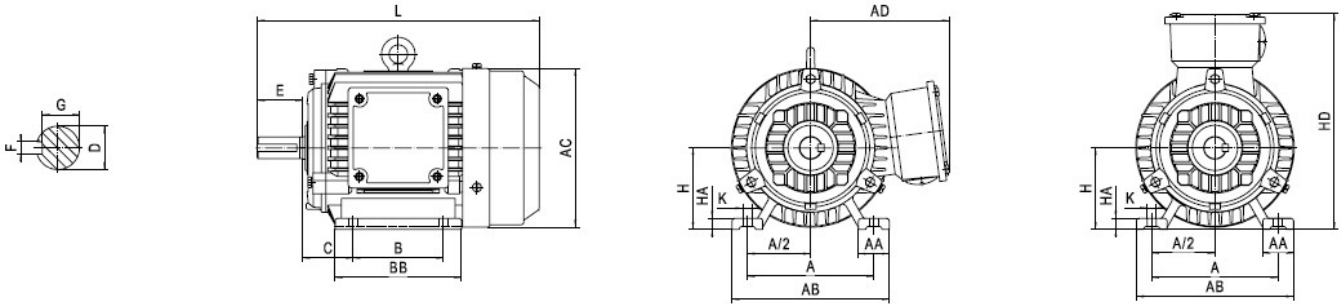


Frame	Poles	Mounting Dimension														Overall Dimension								
		A	B	C	D	E	F	G	H	K	M	N	P	R	S	T	AA	BB	HA	AB	AC	AD	HD	L
80M	2,4,6	125	100	50	19	40	6	15.5	80	10	100	80	120	0	4-M6	3	32	150	10	160	165	145	225	305
90S	2,4,6	140	100	56	24	50	8	20	90	10	115	95	140	0	4-M8	3	34	185	12	180	180	165	255	360
90L	2,4,6		125															210						385
100L	2,4,6	160	140	63	28	60	8	24	100	12	130	110	160	0	4-M8	3.5	39	238	14	200	205	175	275	445
112M	2, 4, 6	190	140	70	28	60	8	24	112	12	130	110	160	0	4-M8	3.5	45	230	14	230	225	190	300	455

Dimensions

mm

B3

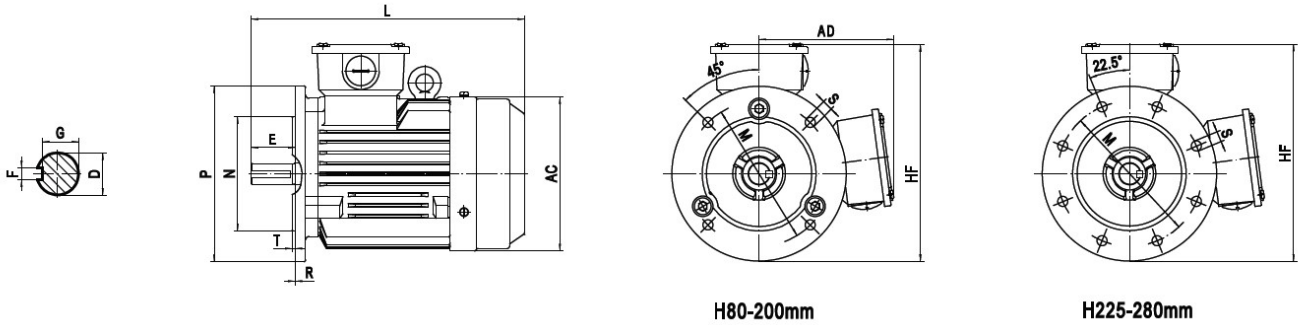


Frame	Poles	Mounting Dimension									Overall Dimension															
		A	B	C	D	E	F	G	H	K	AA	BB	HA	AB	AC	AD	HD	L								
80M	2,4,6	125	100	50	19	40	6	155	80	10	32	150	10	160	165	145	225	305								
90S	2,4,6	140	100	56	24	50	8	20	90	10	34	185	12	180	180	165	255	360								
90L			125									210							385							
100L	2,4,6	160	140	63	28	60	8	24	100	12	39	238	14	200	205	175	275	445								
112M	2,4,6	190	140	70	28	60	8	24	112	12	45	230	14	230	225	190	300	455								
132S1	2	216	140	89	38	80	10	33	132	12	55	190	18	265	270	220	350	475								
132S2			178									230						510								
132S	4	216	178	89	38	80	10	33	132	12	55	230	18	265	270	220	350	510								
	6		140									190						475								
132M	2,4,6	216	178	89	38	80	10	33	132	12	55	230	18	265	270	220	350	510								
160M	2,4,6	254	210	108	42	110	12	37	160	15	65	304	20	315	320	260	420	655								
160L			254									334						685								
180M	2,4,6	279	241	121	48	110	14	425	180	15	70	331	22	355	360	265	445	705								
180L			279									369						745								
200L	2,4,6	318	305	133	55	110	16	49	200	19	74	379	26	395	400	305	505	815								
225S	4	356	286	149	60	140	18	53	225	19	78	375	28	435	450	325	550	830								
225M	2		311		55	110	16	49				400						825								
	4,6		60		140	18	53	855																		
250M	2	406	349	168	60	140	18	53	250	24	80	445	30	490	510	380	630	890								
	4,6				65		58																			
280S	2	457	368	190	65	140	18	58	280	24	90	485	35	545	550	395	675	975								
	4,6				75		67.5	536																		
280M	2		419		65		18	58				280						24	90	35	545	550	395	675	1025	
	4,6																									75
315S	2	508	406	216	65	140	18	58	315	28	120	570	45	635	630	540	855	1180								
	4,6				80		170	22				71						1210								
315M	2		457		65	140	18	58				315						28	120	610	45	635	630	540	855	1215
	4,6																									80
315L	2	508	65	140	18	58	315	28	120	680	45	635	630	540	855	1290										
	4,6															80	170	22	71	1320						
355M	2	610	560	254	75	140	20	67.5	355	28	130	690	52	735	715	645	1000	1390								
	4,6				95		170	25				86						1420								
355L/L1	2		630		75	140	20	67.5				355						28	130	750	52	735	715	645	1000	1500
	4,6																									95
355L2/ L3	2	630	80	170	22	71	355	28	130	750	52	735	715	645	1000	1530										
4,6	110															210	28	100	1570							

Dimensions

mm

B5

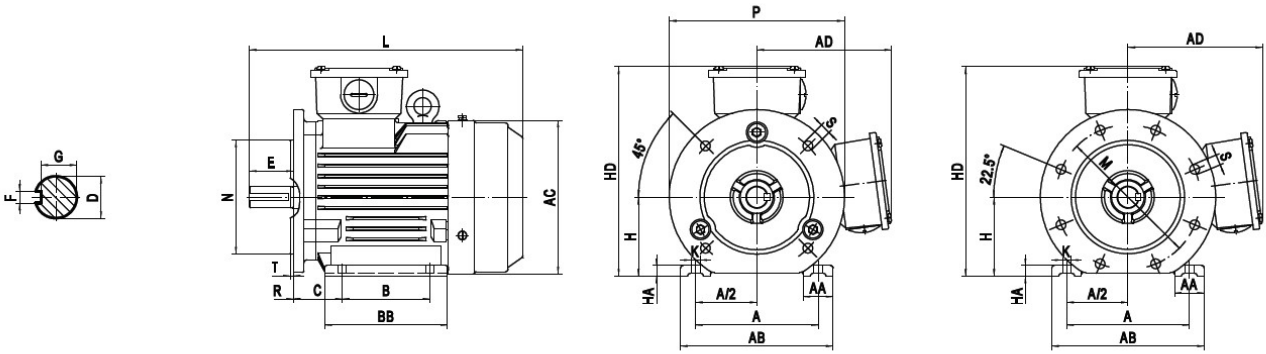


Frame	Poles	Mounting Dimension										Overall Dimension			
		D	E	F	G	M	N	P	R	S	T	AC	AD	HF	L
80M	2,4,6	19	40	6	15.5	165	130	200	0	4-Φ12	3.5	165	145	245	305
90S	2,4,6	24	50	8	20	165	130	200	0	4-Φ12	3.5	180	165	265	360
90L															385
100L	2,4,6	28	60	8	24	215	180	250	0	4-Φ15	4	205	175	300	445
112M	2,4,6	28	60	8	24	215	180	250	0	4-Φ15	4	225	190	315	455
132S1	2	38	80	10	33	265	230	300	0	4-Φ15	4	270	220	370	475
132S2															510
132S	4	38	80	10	33	265	230	300	0	4-Φ15	4	270	220	370	510
	6														475
132M	2,4,6	38	80	10	33	265	230	300	0	4-Φ15	4	270	220	370	510
160M	2,4,6	42	110	12	37	300	250	350	0	4-Φ19	5	320	260	435	655
160L															685
180M	2,4,6	48	110	14	42.5	300	250	350	0	4-Φ19	5	360	265	440	705
180L															745
200L	2,4,6	55	110	16	49	350	300	400	0	4-Φ19	5	400	305	505	815
225S	4	60	140	18	53	400	350	450	0	8-Φ19	5	450	325	550	830
225M	2	55	110	16	49										825
	4,6	60	140	18	53										855
250M	2	60	140	18	53	500	450	550	0	8-Φ19	5	510	380	655	890
	4,6	65			58										
280S	2	65	140	18	58	500	450	550	0	8-Φ19	5	550	395	670	975
	4,6	75		20	67.5										
280M	2	65		18	58										1025
	4,6	75		20	67.5										

Dimensions

mm

B35



H80-200mm

H225-355mm

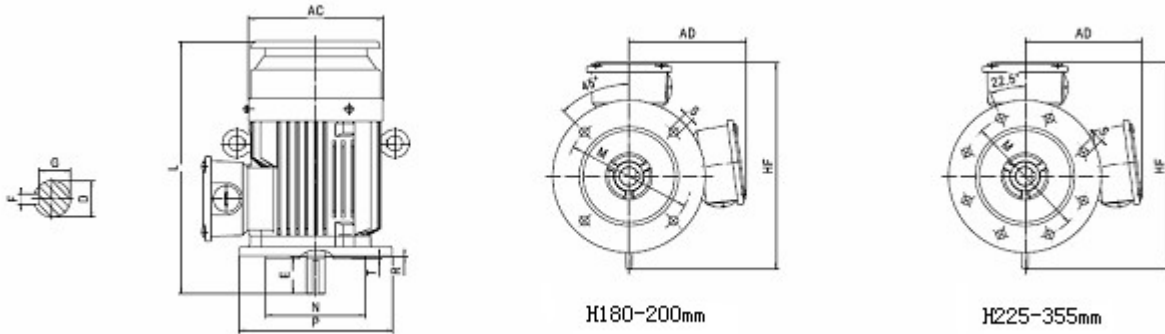
Frame	Poles	Mounting Dimension														Overall Dimension																		
		A	B	C	D	E	F	G	H	K	M	N	P	R	S	T	AA	BB	HA	AB	AC	AD	HD	L										
80M	2,4,6	125	100	50	19	40	6	15.5	80	10	165	130	200	0	4-Φ12	3.5	32	150	10	160	165	145	225	305										
90S	2,4,6	140	100	56	24	50	8	20	90	10	165	130	200	0	4-Φ12	3.5	34	185	12	180	180	165	255	360										
90L			210															385																
100L	2,4,6	160	140	63	28	60	8	24	100	12	215	180	250	0	4-Φ15	4	39	238	14	200	205	175	275	445										
112M	2,4,6	190	140	70	28	60	8	24	112	12	215	180	250	0	4-Φ15	4	45								230	230	225	190	300	455				
132S1	2	216	140	89	38	80	10	33	132	12	265	230	300	0	4-Φ15	4	55	190	18	265	270	220	350	475										
132S2			178															230						510										
132S	4	216	178	89	30	80	10	33	132	12	265	230	300	0	4-Φ15	4	55	230	18	265	270	220	350	510										
	6		140															190						475										
132M	2,4,6	216	178	89	30	80	10	33	132	12	265	230	300	0	4-Φ15	4	55	230	18	265	270	220	350	510										
160M	2,4,6	254	210	108	42	110	12	37	160	15	300	250	350	0	4-Φ19	5	65	304	20	315	320	260	420	655										
160L			254															334						685										
180M	2,4,6	279	241	121	48	110	14	42.5	180	15	300	250	350	0	4-Φ19	5	70	331	22	355	360	265	445	705										
180L			279															369						745										
200L	2,4,6	318	305	133	55	110	16	49	200	19	350	300	400	0	4-Φ19	5	74	379	26	395	400	305	505	815										
225S	4	356	286	149	60	140	18	53	225	19	400	350	450	0	8-Φ19	5	78	375	28	435	450	325	550	830										
225M	2		311		55	110	16	49										400						450	0	8-Φ19	5	78	400	825				
	4,6		60		140	53	400	450										0						8-Φ19	5	78	400	855						
250M	2	406	349	168	60	140	18	58	250	24	500	450	550	0	8-Φ19	5	80	445	30	490	510	380	630	890										
	4,6				65																				140	58	250	450	550	0	8-Φ19	5	80	445
280S	2	457	368	190	65	140	20	67.5	280	24	500	450	550	0	8-Φ19	5	90	485	35	545	550	395	675	975										
	4,6				75													140						58	280	450	550	0	8-Φ19	5	90	485	675	975
280M	2				419													65						140	65	140	20	67.5	280	24	500	450	550	0
	4,6	75	140	58		280	450	550	0	8-Φ19	5	90	536	1025																				
315S	2	406	65	140	18	58	315	28	600	550	660	0	8-Φ24	6	120	610	45	635	630	540	855	1180												
	4,6				80	170																	22	71	600	550	660	0	8-Φ24	6	120	610	855	1210
315M	2	508	457	216	65	140	18	58	315	28	600	550	660	0	8-Φ24	6	120	610	45	635	630	540	855	1215										
	4,6				80	170	22	71																600	550	660	0	8-Φ24	6	120	610	855	1245	
315L	2	508	65	140	18	58	315	28	600	550	660	0	8-Φ24	6	120	610	45	635	630	540	855	1290												
	4,6				80	170																	22	71	600	550	660	0	8-Φ24	6	120	610	855	1320
355M	2	610	560	254	75	140	20	67.5	355	28	740	680	800	0	8-Φ24	6	130	690	52	735	715	645	1000	1390										
	4,6				95	170	25	86																740	680	800	0	8-Φ24	6	130	690	1000	1420	

355L1	2	610	630	254	75	140	20	67.5	355	28	740	680	800	0	8-Φ24	6	130	750	52	735	715	645	1000	1500
	4,6				95	170	25	86																1530
355L2/ L3	2	610	630	254	80	170	22	71	355	28	740	680	800	0	8-Φ24	6	130	750	52	735	715	645	1000	1530
	4,6				110	210	28	100																1570

Dimensions

mm

V1



Frame	Poles	Mounting Dimension										Overall Dimension			
		D	E	F	G	M	N	P	R	S	T	AC	AD	HF	L
80M	2,4,6	19	40	6	15.5	165	130	200	0	4-φ12	3.5	165	145	245	315
90S	2,4,6	24	50	8	20	165	130	200	0	4-φ12	3.5	180	165	265	385
90L															435
100L	2,4,6	28	60	8	24	215	180	250	0	4-φ15	4	205	175	300	475
112M	2,4,6	28	60	8	24	215	180	250	0	4-φ15	4	225	190	315	485
132S1	2	38	80	10	33	265	230	300	0	4-φ15	4	270	220	370	510
132S2															550
132S	4	38	80	10	33	265	230	300	0	4-φ15	4	270	220	370	550
	6														510
132M	2,4,6	38	80	10	33	265	230	300	0	4-φ15	4	270	220	370	550
160M	2,4,6	42	110	12	37	300	250	350	0	4-φ19	5	320	260	435	700
160L															730
180M	2,4,6	48	110	14	42.5	300	250	350	0	4-Φ19	5	360	265	500	750
180L															795
200L	2,4,6	55	110	16	49	350	300	400	0	4-Φ19	5	400	305	570	870
225S	4	60	140	18	53	400	350	450	0	8-Φ19	5	450	325	615	890
225M	2	55	110	16	49										885
	4,6	60	140	18	53										915
250M	2	60	140	18	53	500	450	550	0	8-Φ19	5	510	380	715	955
	4,6	65			58										
280S	2	65	140	18	58	500	450	550	0	8-Φ19	5	550	395	760	1045
	4,6	75			67.5										
280M	2	65			58										1100
	4,6	75			67.5										
315S	2	65	140	18	58	600	550	660	0	8-Φ24	6	630	540	970	1310
	4,6,8	80	170	22	71										1340

315M	2	65	140	18	58	600	550	660	0	8-Φ24	6	630	540	970	1345
	4,6,8	80	170	22	71										1375
315L	2	65	140	18	58	600	550	660	0	8-Φ24	6	630	540	970	1420
	4,6,8	80	170	22	71										1450
355M	2	75	140	20	67.5	740	680	800	0	8-Φ24	6	715	645	1135	1530
	4,6,8	95	170	25	86										1560
355L/L1	2	75	140	20	67.5	740	680	800	0	8-Φ24	6	715	645	1135	1640
	4,6,8	95	170	25	86										1670
355L2/ L3	2	80	170	22	71	740	680	800	0	8-Φ24	6	715	645	1135	1670
	4,6,8	110	210	28	100										1710

Conventional mounting type and suitable frame size are given in following table (with “√”)

Frame	basic type			derived type												
	B3	B5	B35	V1	V3	V5	V6	B6	B7	B8	V15	V36	B14	B34	V18	
63~112	√	√	√	√	√	√	√	√	√	√	√	√	√	√	√	
132~160	√	√	√	√	√	√	√	√	√	√	√	√	√	-	-	
180~280	√	√	√	√	-	-	-	-	-	-	-	-	-	-	-	
315~355	√	-	√	√	-	-	-	-	-	-	-	-	-	-	-	

If there is no other request in the order or agreement, terminal box position at the right side of the frame is regarded as standard; data above may be changed without prior notice.