

YKK 系列 高压三相异步电动机

YKK SERIES HIGH-VOLTAGE THREE PHASE INDUCTION MOTOR

机座号 355~630 (6kV)
450~630 (10kV)

功率 185~2240kW (6kV)
185~1800kW (10kV)

工作制 S1

绝缘等级 F

适用于: 驱动各种通用机械, 如通风机、压缩机、水泵、破碎机、切削机床、运输机械及其它机械设备等, 并可供矿山、机械工业、石油化工工业、发电厂等各种工矿企业作原动机用。

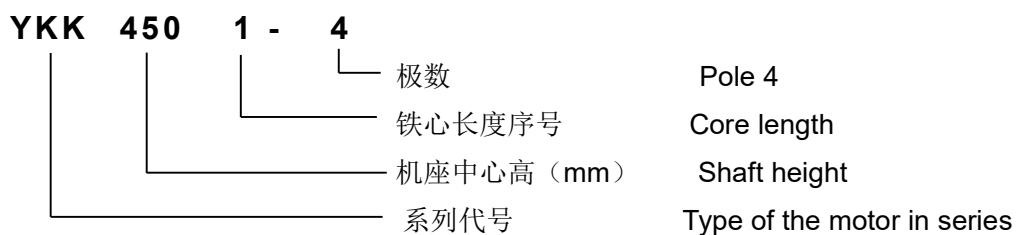
Applications: General purpose including compressor, water pump, crack machine, cut machine, transportation machine and other equipments. It is also used as the primitive drive for the mine mechanical industry, petroleum & chemistry industry, power plant and so on.



特点: 电机造型采用钢板焊接成箱式结构, 重量轻、刚度好; 顶部带封闭式空-空冷却器, 便于维修; 定子采用压装结构, 定子绕组 F 级绝缘、VPI 浸漆, 绝缘性能优良可靠、机械强度好、防潮能力强; 基本形式为 IP44 防护等级, 可按要求制成 IP54 等级。

Features: the motor has the box-type construction, which was made up of steel plate welded with each other, lightweight and good stiffness. On top of the motor is the air- air cooler, convenient to maintenance and replacement. The stator adopts the press construction; the winding with class F insulation and VPI impregnating, which ensure the reliable of the insulation, the mechanical stress and the capable of resistant humidity. The basical protection class is IP44; IP54 motor can be supplied according to requirement.

电动机型号说明 Designations of types



性能数据 Performance Data

6KV 50Hz

型号 Type	额定功率 kW	同步转速 r/min	满载时 Full Load			最大转矩 额定转矩 Breakdown Torque Rated Torque	堵转转矩 额定转矩 Locked Rotor Torque Rated Torque	堵转电流 额定电流 Locked Rotor Current Rated Current	噪声 Sound Power dB (A)
			电流 Current A	效率 Eff. %	功率因数 Power Factor cos Φ				
YKK355 1-4	185	1500	22.6	92.8	0.85	1.8	0.8	6.5	106
YKK355 2-4	200		24.4	92.9					
YKK355 3-4	220	1500	26.8	93.0	0.86	1.8	0.8	6.5	106
YKK355 4-4	250		30.4	93.1					108

性能数据 Performance Data

6KV 50Hz

型号 Type	额定 功率 kW	同步 转速 r/min	满载时 Full Load			最大转矩 额定转矩 Breakdown Torque Rated Torque	堵转转矩 额定转矩 Locked Rotor Torque Rated Torque	堵转电流 额定电流 Locked Rotor Current Rated Current	噪声 Sound Power dB(A)																																																																																																																																																																																																																										
			电流 Current A	效 率 Eff. %	功率因数 Power Factor cosΦ																																																																																																																																																																																																																														
YKK355 5-6	185	1000	23.5	92.4	0.82	1.8	0.8	6.0	102																																																																																																																																																																																																																										
YKK355 6-6	200		25.3	92.6						YKK400 2-4	280	1500	33.6	93.2	0.86	1.8	0.8	6.5	108	YKK400 3-4	315	37.8	93.3	YKK400 4-4	355	1500	42.5	93.5	0.86	1.8	0.8	6.5	108	YKK400 5-4	400	47.8	93.7	YKK400 6-4	450	53.6	93.9	YKK400 1-6	185	1000	23.5	92.4	0.82	1.8	0.8	6.0	102	YKK400 2-6	200	25.3	92.6	YKK400 3-6	220	1000	27.8	92.8	0.82	1.8	0.8	6.0	102	YKK400 4-6	250	31.5	93.0	105	YKK400 5-6	280	1000	35.2	93.3	0.82	1.8	0.8	6.0	105	YKK400 6-6	315	39.5	93.5	YKK400 4-8	185	750	24.7	92.5	0.78	1.8	0.8	5.5	99	YKK400 5-8	200	26.6	92.7	YKK400 6-8	220	29.2	92.9	YKK450 2-4	500	1500	59.5	94.0	0.86	1.8	0.8	6.5	108	YKK450 3-4	560	66.5	94.2	111	YKK450 4-4	630	1500	74.7	94.4	0.86	1.8	0.8	6.5	111	YKK450 5-4	710	84.0	94.6	YKK450 2-6	355	1000	43.9	93.7	0.83	1.8	0.8	6.0	105	YKK450 3-6	400	49.4	93.8	YKK450 4-6	450	1000	55.4	94.1	0.83	1.8	0.8	6.0	105	YKK450 5-6	500	61.5	94.3	YKK450 2-8	250	750	32.7	93.0	0.79	1.8	0.8	5.5	102	YKK450 3-8	280	36.6	93.2	YKK450 4-8	315	750	41.1	93.4	0.79	1.8	0.8	5.5	102	YKK450 5-8	355	46.2	93.5	YKK450 1-10	185	600	25.9	91.7	0.75	1.8	0.8	5.5	99	YKK450 2-10	200	27.9	91.9	YKK450 3-10	220	30.6	92.1	YKK450 4-10	250	600	34.8	92.3	0.75	1.8	0.8	5.5	102	YKK450 5-10	280	38.8	92.5	YKK450 4-12	185	500	27.7	91.8	0.70	1.8	0.8
YKK400 2-4	280	1500	33.6	93.2	0.86	1.8	0.8	6.5	108																																																																																																																																																																																																																										
YKK400 3-4	315		37.8	93.3						YKK400 4-4	355	1500	42.5	93.5	0.86	1.8	0.8	6.5	108	YKK400 5-4	400	47.8	93.7	YKK400 6-4	450		53.6	93.9						YKK400 1-6	185	1000	23.5	92.4	0.82	1.8	0.8	6.0	102	YKK400 2-6	200	25.3	92.6	YKK400 3-6	220	1000	27.8	92.8	0.82	1.8	0.8	6.0	102	YKK400 4-6	250	31.5	93.0	105	YKK400 5-6	280	1000	35.2	93.3	0.82	1.8	0.8	6.0	105	YKK400 6-6	315	39.5	93.5	YKK400 4-8	185	750	24.7	92.5	0.78	1.8	0.8	5.5	99		YKK400 5-8	200						26.6	92.7	YKK400 6-8	220	29.2	92.9	YKK450 2-4	500	1500	59.5	94.0	0.86	1.8	0.8	6.5	108	YKK450 3-4	560	66.5	94.2	111	YKK450 4-4	630	1500	74.7	94.4	0.86	1.8	0.8	6.5	111	YKK450 5-4	710	84.0	94.6	YKK450 2-6	355	1000	43.9	93.7	0.83	1.8	0.8	6.0	105	YKK450 3-6	400	49.4	93.8	YKK450 4-6	450	1000	55.4	94.1	0.83	1.8	0.8	6.0	105	YKK450 5-6	500	61.5	94.3	YKK450 2-8	250	750	32.7	93.0	0.79	1.8	0.8	5.5	102	YKK450 3-8	280	36.6	93.2	YKK450 4-8	315	750	41.1	93.4	0.79	1.8	0.8	5.5	102	YKK450 5-8	355	46.2	93.5	YKK450 1-10	185	600	25.9		91.7	0.75						1.8	0.8	5.5	99	YKK450 2-10	200	27.9	91.9	YKK450 3-10	220	30.6	92.1	YKK450 4-10	250	600	34.8	92.3	0.75	1.8	0.8	5.5	102	YKK450 5-10	280	38.8	92.5	YKK450 4-12	185	500	27.7
YKK400 4-4	355	1500	42.5	93.5	0.86	1.8	0.8	6.5	108																																																																																																																																																																																																																										
YKK400 5-4	400		47.8	93.7																																																																																																																																																																																																																															
YKK400 6-4	450		53.6	93.9						YKK400 1-6	185	1000	23.5	92.4	0.82	1.8	0.8	6.0	102	YKK400 2-6	200	25.3	92.6	YKK400 3-6	220	1000	27.8	92.8	0.82	1.8	0.8	6.0	102	YKK400 4-6	250	31.5	93.0	105	YKK400 5-6	280	1000	35.2	93.3	0.82	1.8	0.8	6.0	105	YKK400 6-6	315	39.5	93.5	YKK400 4-8	185	750	24.7	92.5	0.78	1.8	0.8	5.5	99	YKK400 5-8	200	26.6	92.7	YKK400 6-8	220	29.2	92.9	YKK450 2-4	500	1500	59.5	94.0	0.86	1.8	0.8	6.5	108	YKK450 3-4	560	66.5	94.2	111	YKK450 4-4	630	1500	74.7	94.4	0.86	1.8	0.8	6.5	111	YKK450 5-4	710	84.0	94.6	YKK450 2-6	355	1000	43.9	93.7	0.83	1.8	0.8	6.0	105	YKK450 3-6	400	49.4	93.8	YKK450 4-6	450	1000	55.4	94.1	0.83	1.8	0.8	6.0	105	YKK450 5-6	500	61.5	94.3	YKK450 2-8	250	750	32.7	93.0	0.79	1.8	0.8	5.5	102	YKK450 3-8	280	36.6	93.2	YKK450 4-8	315	750	41.1	93.4	0.79	1.8	0.8	5.5	102	YKK450 5-8	355	46.2	93.5	YKK450 1-10	185	600	25.9	91.7	0.75	1.8	0.8	5.5	99	YKK450 2-10	200	27.9	91.9	YKK450 3-10	220	30.6	92.1	YKK450 4-10	250	600	34.8	92.3	0.75	1.8	0.8	5.5	102	YKK450 5-10	280	38.8	92.5	YKK450 4-12	185	500	27.7	91.8	0.70	1.8	0.8	5.5	99	YKK450 5-12	200	29.9	92.0																										
YKK400 1-6	185	1000	23.5	92.4	0.82	1.8	0.8	6.0	102																																																																																																																																																																																																																										
YKK400 2-6	200		25.3	92.6						YKK400 3-6	220	1000	27.8	92.8	0.82	1.8	0.8	6.0	102	YKK400 4-6	250	31.5	93.0	105	YKK400 5-6	280	1000	35.2	93.3	0.82	1.8	0.8	6.0	105	YKK400 6-6	315	39.5	93.5	YKK400 4-8	185	750	24.7	92.5	0.78	1.8	0.8	5.5	99	YKK400 5-8	200	26.6	92.7	YKK400 6-8	220		29.2	92.9						YKK450 2-4	500	1500	59.5	94.0	0.86	1.8	0.8	6.5	108	YKK450 3-4	560	66.5	94.2	111	YKK450 4-4	630	1500	74.7	94.4	0.86	1.8	0.8	6.5	111	YKK450 5-4	710	84.0	94.6	YKK450 2-6	355	1000	43.9	93.7	0.83	1.8	0.8	6.0	105	YKK450 3-6	400	49.4	93.8	YKK450 4-6	450	1000	55.4	94.1	0.83	1.8	0.8	6.0	105	YKK450 5-6	500	61.5	94.3	YKK450 2-8	250	750	32.7	93.0	0.79	1.8	0.8	5.5	102	YKK450 3-8	280	36.6	93.2	YKK450 4-8	315	750	41.1	93.4	0.79	1.8	0.8	5.5	102	YKK450 5-8	355	46.2	93.5	YKK450 1-10	185	600	25.9	91.7	0.75	1.8	0.8	5.5	99		YKK450 2-10	200						27.9	91.9	YKK450 3-10	220	30.6	92.1	YKK450 4-10	250	600	34.8	92.3	0.75	1.8	0.8	5.5	102	YKK450 5-10	280	38.8	92.5	YKK450 4-12	185	500	27.7	91.8	0.70	1.8	0.8	5.5	99	YKK450 5-12	200	29.9	92.0																												
YKK400 3-6	220	1000	27.8	92.8	0.82	1.8	0.8	6.0	102																																																																																																																																																																																																																										
YKK400 4-6	250		31.5	93.0					105																																																																																																																																																																																																																										
YKK400 5-6	280	1000	35.2	93.3	0.82	1.8	0.8	6.0	105																																																																																																																																																																																																																										
YKK400 6-6	315		39.5	93.5						YKK400 4-8	185	750	24.7	92.5	0.78	1.8	0.8	5.5	99	YKK400 5-8	200	26.6	92.7	YKK400 6-8	220	29.2	92.9	YKK450 2-4	500	1500	59.5	94.0	0.86	1.8	0.8	6.5	108	YKK450 3-4	560	66.5	94.2	111	YKK450 4-4	630	1500	74.7	94.4	0.86	1.8	0.8	6.5	111	YKK450 5-4	710	84.0	94.6	YKK450 2-6	355	1000	43.9	93.7	0.83	1.8	0.8	6.0	105	YKK450 3-6	400	49.4	93.8	YKK450 4-6	450	1000	55.4	94.1	0.83	1.8	0.8	6.0	105	YKK450 5-6	500	61.5	94.3	YKK450 2-8	250	750	32.7	93.0	0.79	1.8	0.8	5.5	102	YKK450 3-8	280	36.6	93.2	YKK450 4-8	315	750	41.1	93.4	0.79	1.8	0.8	5.5	102	YKK450 5-8	355	46.2	93.5	YKK450 1-10	185	600	25.9	91.7	0.75	1.8	0.8	5.5	99	YKK450 2-10	200	27.9	91.9	YKK450 3-10	220	30.6	92.1	YKK450 4-10	250	600	34.8	92.3	0.75	1.8	0.8	5.5	102	YKK450 5-10	280	38.8	92.5	YKK450 4-12	185	500	27.7	91.8	0.70	1.8	0.8	5.5	99	YKK450 5-12	200	29.9	92.0																																																																					
YKK400 4-8	185	750	24.7	92.5	0.78	1.8	0.8	5.5	99																																																																																																																																																																																																																										
YKK400 5-8	200		26.6	92.7																																																																																																																																																																																																																															
YKK400 6-8	220		29.2	92.9						YKK450 2-4	500	1500	59.5	94.0	0.86	1.8	0.8	6.5	108	YKK450 3-4	560	66.5	94.2	111	YKK450 4-4	630	1500	74.7	94.4	0.86	1.8	0.8	6.5	111	YKK450 5-4	710	84.0	94.6	YKK450 2-6	355	1000	43.9	93.7	0.83	1.8	0.8	6.0	105	YKK450 3-6	400	49.4	93.8	YKK450 4-6	450	1000	55.4	94.1	0.83	1.8	0.8	6.0	105	YKK450 5-6	500	61.5	94.3	YKK450 2-8	250	750	32.7	93.0	0.79	1.8	0.8	5.5	102	YKK450 3-8	280	36.6	93.2	YKK450 4-8	315	750	41.1	93.4	0.79	1.8	0.8	5.5	102	YKK450 5-8	355	46.2	93.5	YKK450 1-10	185	600	25.9	91.7	0.75	1.8	0.8	5.5	99	YKK450 2-10	200	27.9	91.9	YKK450 3-10	220	30.6	92.1	YKK450 4-10	250	600	34.8	92.3	0.75	1.8	0.8	5.5	102	YKK450 5-10	280	38.8	92.5	YKK450 4-12	185	500	27.7	91.8	0.70	1.8	0.8	5.5	99	YKK450 5-12	200	29.9	92.0																																																																																							
YKK450 2-4	500	1500	59.5	94.0	0.86	1.8	0.8	6.5	108																																																																																																																																																																																																																										
YKK450 3-4	560		66.5	94.2					111																																																																																																																																																																																																																										
YKK450 4-4	630	1500	74.7	94.4	0.86	1.8	0.8	6.5	111																																																																																																																																																																																																																										
YKK450 5-4	710		84.0	94.6						YKK450 2-6	355	1000	43.9	93.7	0.83	1.8	0.8	6.0	105	YKK450 3-6	400	49.4	93.8	YKK450 4-6	450	1000	55.4	94.1	0.83	1.8	0.8	6.0	105	YKK450 5-6	500	61.5	94.3	YKK450 2-8	250	750	32.7	93.0	0.79	1.8	0.8	5.5	102	YKK450 3-8	280	36.6	93.2	YKK450 4-8	315	750	41.1	93.4	0.79	1.8	0.8	5.5	102	YKK450 5-8	355	46.2	93.5	YKK450 1-10	185	600	25.9	91.7	0.75	1.8	0.8	5.5	99	YKK450 2-10	200	27.9	91.9	YKK450 3-10	220	30.6	92.1	YKK450 4-10	250	600	34.8	92.3	0.75	1.8	0.8	5.5	102	YKK450 5-10	280	38.8	92.5	YKK450 4-12	185	500	27.7	91.8	0.70	1.8	0.8	5.5	99	YKK450 5-12	200	29.9	92.0																																																																																																																				
YKK450 2-6	355	1000	43.9	93.7	0.83	1.8	0.8	6.0	105																																																																																																																																																																																																																										
YKK450 3-6	400		49.4	93.8						YKK450 4-6	450	1000	55.4	94.1	0.83	1.8	0.8	6.0	105	YKK450 5-6	500	61.5	94.3	YKK450 2-8	250	750	32.7	93.0	0.79	1.8	0.8	5.5	102	YKK450 3-8	280	36.6	93.2	YKK450 4-8	315	750	41.1	93.4	0.79	1.8	0.8	5.5	102	YKK450 5-8	355	46.2	93.5	YKK450 1-10	185	600	25.9	91.7	0.75	1.8	0.8	5.5	99	YKK450 2-10	200	27.9	91.9	YKK450 3-10	220		30.6	92.1						YKK450 4-10	250	600	34.8	92.3	0.75	1.8	0.8	5.5	102	YKK450 5-10	280	38.8	92.5	YKK450 4-12	185	500	27.7	91.8	0.70	1.8	0.8	5.5	99	YKK450 5-12	200	29.9	92.0																																																																																																																												
YKK450 4-6	450	1000	55.4	94.1	0.83	1.8	0.8	6.0	105																																																																																																																																																																																																																										
YKK450 5-6	500		61.5	94.3						YKK450 2-8	250	750	32.7	93.0	0.79	1.8	0.8	5.5	102	YKK450 3-8	280	36.6	93.2	YKK450 4-8	315	750	41.1	93.4	0.79	1.8	0.8	5.5	102	YKK450 5-8	355	46.2	93.5	YKK450 1-10	185	600	25.9	91.7	0.75	1.8	0.8	5.5	99	YKK450 2-10	200	27.9	91.9	YKK450 3-10	220		30.6	92.1						YKK450 4-10	250	600	34.8	92.3	0.75	1.8	0.8	5.5	102	YKK450 5-10	280	38.8	92.5	YKK450 4-12	185	500	27.7	91.8	0.70	1.8	0.8	5.5	99	YKK450 5-12	200	29.9	92.0																																																																																																																																										
YKK450 2-8	250	750	32.7	93.0	0.79	1.8	0.8	5.5	102																																																																																																																																																																																																																										
YKK450 3-8	280		36.6	93.2						YKK450 4-8	315	750	41.1	93.4	0.79	1.8	0.8	5.5	102	YKK450 5-8	355	46.2	93.5	YKK450 1-10	185	600	25.9	91.7	0.75	1.8	0.8	5.5	99	YKK450 2-10	200	27.9	91.9	YKK450 3-10	220		30.6	92.1						YKK450 4-10	250	600	34.8	92.3	0.75	1.8	0.8	5.5	102	YKK450 5-10	280	38.8	92.5	YKK450 4-12	185	500	27.7	91.8	0.70	1.8	0.8	5.5	99	YKK450 5-12	200	29.9	92.0																																																																																																																																																								
YKK450 4-8	315	750	41.1	93.4	0.79	1.8	0.8	5.5	102																																																																																																																																																																																																																										
YKK450 5-8	355		46.2	93.5						YKK450 1-10	185	600	25.9	91.7	0.75	1.8	0.8	5.5	99	YKK450 2-10	200	27.9	91.9	YKK450 3-10	220		30.6	92.1						YKK450 4-10	250	600	34.8	92.3	0.75	1.8	0.8	5.5	102	YKK450 5-10	280	38.8	92.5	YKK450 4-12	185	500	27.7	91.8	0.70	1.8	0.8	5.5	99	YKK450 5-12	200	29.9	92.0																																																																																																																																																																						
YKK450 1-10	185	600	25.9	91.7	0.75	1.8	0.8	5.5	99																																																																																																																																																																																																																										
YKK450 2-10	200		27.9	91.9																																																																																																																																																																																																																															
YKK450 3-10	220		30.6	92.1						YKK450 4-10	250	600	34.8	92.3	0.75	1.8	0.8	5.5	102	YKK450 5-10	280	38.8	92.5	YKK450 4-12	185	500	27.7	91.8	0.70	1.8	0.8	5.5	99	YKK450 5-12	200	29.9	92.0																																																																																																																																																																																														
YKK450 4-10	250	600	34.8	92.3	0.75	1.8	0.8	5.5	102																																																																																																																																																																																																																										
YKK450 5-10	280		38.8	92.5						YKK450 4-12	185	500	27.7	91.8	0.70	1.8	0.8	5.5	99	YKK450 5-12	200	29.9	92.0																																																																																																																																																																																																												
YKK450 4-12	185	500	27.7	91.8	0.70	1.8	0.8	5.5	99																																																																																																																																																																																																																										
YKK450 5-12	200		29.9	92.0																																																																																																																																																																																																																															

性能数据 Performance Data

6KV 50Hz

型号 Type	额定功率 kW	同步 转速 r/min	满载时 Full Load			最大转矩 额定转矩 Breakdown Torque Rated Torque	堵转转矩 额定转矩 Locked Rotor Torque Rated Torque	堵转电流 额定电流 Locked Rotor Current Rated Current	噪声 Sound Power dB(A)																																																																																																																																																																																																																																										
			电流 Current A	效率 Eff. %	功率因数 Power Factor cosΦ																																																																																																																																																																																																																																														
YKK500 1-4	800	1500	93.9	94.8	0.87	1.8	0.7	6.5	111																																																																																																																																																																																																																																										
YKK500 2-4	900		105	94.9						YKK500 3-4	1000	1500	116	95.0	0.87	1.8	0.7	6.5	111	YKK500 4-4	1120	130	95.1	113	YKK500 1-6	560	1000	68.0	94.4	0.84	1.8	0.7	6.0	108	YKK500 2-6	630	76.4	94.5	YKK500 3-6	710	1000	85.8	94.8	0.84	1.8	0.7	6.0	108	YKK500 4-6	800	96.6	94.9	YKK500 1-8	400	750	51.3	93.7	0.80	1.8	0.8	5.5	102	YKK500 2-8	450	57.7	93.8	YKK500 3-8	500	750	63.8	94.2	0.80	1.8	0.8	5.5	102	YKK500 4-8	560	71.4	94.4	105	YKK500 1-10	315	600	43.0	92.8	0.76	1.8	0.8	5.5	102	YKK500 2-10	355	48.3	93.0	YKK500 3-10	400	600	54.3	93.3	0.76	1.8	0.8	5.5	102	YKK500 4-10	450	61.0	93.4	YKK500 1-12	220	500	31.9	92.2	0.72	1.8	0.8	5.5	99	YKK500 2-12	250	36.1	92.5	102	YKK500 3-12	280	500	40.4	92.7	0.72	1.8	0.8	5.5	102	YKK500 4-12	315	45.4	92.8	YKK560 1-4	1250	1500	144	95.2	0.88	1.8	0.6	6.5	113	YKK560 2-4	1400	161	95.3	YKK560 3-4	1600	183	95.4	YKK560 1-6	900	1000	107	95.0	0.85	1.8	0.7	6.5	108	YKK560 2-6	1000	119	95.1	YKK560 3-6	1120	133	95.2	YKK560 1-8	630	750	78.2	94.5	0.82	1.8	0.7	6.0	110	YKK560 2-8	710	80.0	94.6	105	YKK560 3-8	800	99.1	94.7	YKK560 1-10	500	600	65.9	93.6	0.78	1.8	0.7	6.0	102	YKK560 2-10	560	600	73.7	93.7	0.80	1.8	0.7	6.0	105	YKK560 3-10	630	82.8	93.8	YKK560 4-10	710	93.1	94.0	YKK560 1-12	355	500	49.6	93.0	0.74	1.8	0.7	6.0	102	YKK560 2-12	400	500	55.7	93.3	0.75	1.8	0.7	6.0	102	YKK560 3-12	450
YKK500 3-4	1000	1500	116	95.0	0.87	1.8	0.7	6.5	111																																																																																																																																																																																																																																										
YKK500 4-4	1120		130	95.1					113																																																																																																																																																																																																																																										
YKK500 1-6	560	1000	68.0	94.4	0.84	1.8	0.7	6.0	108																																																																																																																																																																																																																																										
YKK500 2-6	630		76.4	94.5						YKK500 3-6	710	1000	85.8	94.8	0.84	1.8	0.7	6.0	108	YKK500 4-6	800	96.6	94.9	YKK500 1-8	400	750	51.3	93.7	0.80	1.8	0.8	5.5	102	YKK500 2-8	450	57.7	93.8	YKK500 3-8	500	750	63.8	94.2	0.80	1.8	0.8	5.5	102	YKK500 4-8	560	71.4	94.4	105	YKK500 1-10	315	600	43.0	92.8	0.76	1.8	0.8	5.5	102	YKK500 2-10	355	48.3	93.0	YKK500 3-10	400	600	54.3	93.3	0.76	1.8	0.8	5.5	102	YKK500 4-10	450	61.0	93.4	YKK500 1-12	220	500	31.9	92.2	0.72	1.8	0.8	5.5	99	YKK500 2-12	250	36.1	92.5	102	YKK500 3-12	280	500	40.4	92.7	0.72	1.8	0.8	5.5	102	YKK500 4-12	315	45.4	92.8	YKK560 1-4	1250	1500	144	95.2	0.88	1.8	0.6	6.5	113	YKK560 2-4	1400	161	95.3	YKK560 3-4	1600	183	95.4	YKK560 1-6	900	1000	107	95.0	0.85	1.8	0.7	6.5	108	YKK560 2-6	1000	119	95.1	YKK560 3-6	1120	133	95.2	YKK560 1-8	630	750	78.2	94.5	0.82	1.8	0.7	6.0	110	YKK560 2-8	710	80.0	94.6	105	YKK560 3-8	800	99.1	94.7	YKK560 1-10	500	600	65.9	93.6	0.78	1.8	0.7	6.0	102	YKK560 2-10	560	600	73.7	93.7	0.80	1.8	0.7	6.0	105	YKK560 3-10	630	82.8	93.8	YKK560 4-10	710	93.1	94.0	YKK560 1-12	355	500	49.6	93.0	0.74	1.8	0.7	6.0	102	YKK560 2-12	400	500	55.7	93.3	0.75	1.8	0.7	6.0	102	YKK560 3-12	450	62.6	93.4	YKK560 4-12	500	69.4	93.7																							
YKK500 3-6	710	1000	85.8	94.8	0.84	1.8	0.7	6.0	108																																																																																																																																																																																																																																										
YKK500 4-6	800		96.6	94.9						YKK500 1-8	400	750	51.3	93.7	0.80	1.8	0.8	5.5	102	YKK500 2-8	450	57.7	93.8	YKK500 3-8	500	750	63.8	94.2	0.80	1.8	0.8	5.5	102	YKK500 4-8	560	71.4	94.4	105	YKK500 1-10	315	600	43.0	92.8	0.76	1.8	0.8	5.5	102	YKK500 2-10	355	48.3	93.0	YKK500 3-10	400	600	54.3	93.3	0.76	1.8	0.8	5.5	102	YKK500 4-10	450	61.0	93.4	YKK500 1-12	220	500	31.9	92.2	0.72	1.8	0.8	5.5	99	YKK500 2-12	250	36.1	92.5	102	YKK500 3-12	280	500	40.4	92.7	0.72	1.8	0.8	5.5	102	YKK500 4-12	315	45.4	92.8	YKK560 1-4	1250	1500	144	95.2	0.88	1.8	0.6	6.5	113	YKK560 2-4	1400	161	95.3	YKK560 3-4	1600		183	95.4						YKK560 1-6	900	1000	107	95.0	0.85	1.8	0.7	6.5	108		YKK560 2-6	1000						119	95.1	YKK560 3-6	1120	133	95.2	YKK560 1-8	630	750	78.2		94.5	0.82					1.8	0.7	6.0	110	YKK560 2-8	710	80.0	94.6	105	YKK560 3-8	800	99.1	94.7	YKK560 1-10	500	600	65.9	93.6	0.78	1.8	0.7	6.0		102	YKK560 2-10						560	600	73.7	93.7	0.80	1.8	0.7	6.0	105	YKK560 3-10	630	82.8	93.8	YKK560 4-10	710	93.1	94.0	YKK560 1-12	355	500		49.6	93.0						0.74	1.8	0.7	6.0	102	YKK560 2-12	400	500	55.7	93.3	0.75	1.8	0.7	6.0	102	YKK560 3-12	450	62.6	93.4	YKK560 4-12	500	69.4	93.7								
YKK500 1-8	400	750	51.3	93.7	0.80	1.8	0.8	5.5	102																																																																																																																																																																																																																																										
YKK500 2-8	450		57.7	93.8						YKK500 3-8	500	750	63.8	94.2	0.80	1.8	0.8	5.5	102	YKK500 4-8	560	71.4	94.4	105	YKK500 1-10	315	600	43.0	92.8	0.76	1.8	0.8	5.5	102	YKK500 2-10	355	48.3	93.0	YKK500 3-10	400	600	54.3	93.3	0.76	1.8	0.8	5.5	102	YKK500 4-10	450	61.0	93.4	YKK500 1-12	220	500	31.9	92.2	0.72	1.8	0.8	5.5	99	YKK500 2-12	250	36.1	92.5	102	YKK500 3-12	280	500	40.4	92.7	0.72	1.8	0.8	5.5	102	YKK500 4-12	315	45.4	92.8	YKK560 1-4	1250	1500	144	95.2	0.88	1.8	0.6	6.5	113	YKK560 2-4	1400	161	95.3	YKK560 3-4	1600		183	95.4						YKK560 1-6	900	1000	107	95.0	0.85	1.8	0.7	6.5	108	YKK560 2-6	1000	119	95.1	YKK560 3-6	1120		133	95.2						YKK560 1-8	630	750	78.2	94.5	0.82	1.8	0.7	6.0	110	YKK560 2-8	710	80.0	94.6	105	YKK560 3-8		800	99.1	94.7		YKK560 1-10	500	600	65.9				93.6	0.78	1.8	0.7	6.0	102	YKK560 2-10	560	600	73.7	93.7	0.80	1.8	0.7	6.0	105	YKK560 3-10	630	82.8	93.8	YKK560 4-10	710	93.1	94.0	YKK560 1-12	355	500	49.6		93.0	0.74						1.8	0.7	6.0	102	YKK560 2-12	400	500	55.7	93.3	0.75	1.8	0.7	6.0	102	YKK560 3-12	450	62.6	93.4	YKK560 4-12	500	69.4	93.7																												
YKK500 3-8	500	750	63.8	94.2	0.80	1.8	0.8	5.5	102																																																																																																																																																																																																																																										
YKK500 4-8	560		71.4	94.4					105																																																																																																																																																																																																																																										
YKK500 1-10	315	600	43.0	92.8	0.76	1.8	0.8	5.5	102																																																																																																																																																																																																																																										
YKK500 2-10	355		48.3	93.0						YKK500 3-10	400	600	54.3	93.3	0.76	1.8	0.8	5.5	102	YKK500 4-10	450	61.0	93.4	YKK500 1-12	220	500	31.9	92.2	0.72	1.8	0.8	5.5	99	YKK500 2-12	250	36.1	92.5	102	YKK500 3-12	280	500	40.4	92.7	0.72	1.8	0.8	5.5	102	YKK500 4-12	315	45.4	92.8	YKK560 1-4	1250	1500	144	95.2	0.88	1.8	0.6	6.5	113	YKK560 2-4	1400	161	95.3	YKK560 3-4	1600	183	95.4	YKK560 1-6	900	1000	107	95.0	0.85	1.8	0.7	6.5	108	YKK560 2-6	1000	119	95.1	YKK560 3-6	1120	133	95.2	YKK560 1-8	630	750	78.2	94.5	0.82	1.8	0.7	6.0	110	YKK560 2-8	710	80.0	94.6	105	YKK560 3-8	800	99.1	94.7	YKK560 1-10	500	600	65.9	93.6	0.78	1.8	0.7	6.0	102	YKK560 2-10	560	600	73.7	93.7	0.80	1.8	0.7	6.0	105	YKK560 3-10	630	82.8	93.8	YKK560 4-10	710	93.1	94.0	YKK560 1-12	355	500	49.6	93.0	0.74	1.8	0.7	6.0	102	YKK560 2-12	400	500	55.7	93.3	0.75	1.8	0.7	6.0	102	YKK560 3-12	450	62.6	93.4	YKK560 4-12	500	69.4	93.7																																																																																
YKK500 3-10	400	600	54.3	93.3	0.76	1.8	0.8	5.5	102																																																																																																																																																																																																																																										
YKK500 4-10	450		61.0	93.4						YKK500 1-12	220	500	31.9	92.2	0.72	1.8	0.8	5.5	99	YKK500 2-12	250	36.1	92.5	102	YKK500 3-12	280	500	40.4	92.7	0.72	1.8	0.8	5.5	102	YKK500 4-12	315	45.4	92.8	YKK560 1-4	1250	1500	144	95.2	0.88	1.8	0.6	6.5	113	YKK560 2-4	1400	161	95.3	YKK560 3-4	1600		183	95.4						YKK560 1-6	900	1000	107	95.0	0.85	1.8	0.7	6.5	108		YKK560 2-6	1000						119	95.1	YKK560 3-6	1120	133	95.2	YKK560 1-8	630	750	78.2		94.5	0.82					1.8	0.7	6.0	110	YKK560 2-8	710	80.0	94.6	105	YKK560 3-8	800	99.1	94.7	YKK560 1-10	500	600	65.9	93.6	0.78	1.8	0.7	6.0		102	YKK560 2-10						560	600	73.7	93.7	0.80	1.8	0.7	6.0	105	YKK560 3-10	630	82.8	93.8	YKK560 4-10	710	93.1	94.0	YKK560 1-12	355	500		49.6	93.0						0.74	1.8	0.7	6.0	102	YKK560 2-12	400	500	55.7	93.3	0.75	1.8	0.7	6.0	102	YKK560 3-12	450	62.6	93.4	YKK560 4-12	500	69.4	93.7																																																																	
YKK500 1-12	220	500	31.9	92.2	0.72	1.8	0.8	5.5	99																																																																																																																																																																																																																																										
YKK500 2-12	250		36.1	92.5					102																																																																																																																																																																																																																																										
YKK500 3-12	280	500	40.4	92.7	0.72	1.8	0.8	5.5	102																																																																																																																																																																																																																																										
YKK500 4-12	315		45.4	92.8						YKK560 1-4	1250	1500	144	95.2	0.88	1.8	0.6	6.5	113	YKK560 2-4	1400	161	95.3	YKK560 3-4	1600	183	95.4	YKK560 1-6	900	1000	107	95.0	0.85	1.8	0.7	6.5	108	YKK560 2-6	1000	119	95.1	YKK560 3-6	1120	133	95.2	YKK560 1-8	630	750	78.2	94.5	0.82	1.8	0.7	6.0	110	YKK560 2-8	710	80.0	94.6	105	YKK560 3-8	800	99.1	94.7	YKK560 1-10	500	600	65.9	93.6	0.78	1.8	0.7	6.0	102	YKK560 2-10	560	600	73.7	93.7	0.80	1.8	0.7	6.0	105	YKK560 3-10	630	82.8	93.8	YKK560 4-10	710	93.1	94.0	YKK560 1-12	355	500	49.6	93.0	0.74	1.8	0.7	6.0	102	YKK560 2-12	400	500	55.7	93.3	0.75	1.8	0.7	6.0	102	YKK560 3-12	450	62.6	93.4	YKK560 4-12	500	69.4	93.7																																																																																																																											
YKK560 1-4	1250	1500	144	95.2	0.88	1.8	0.6	6.5	113																																																																																																																																																																																																																																										
YKK560 2-4	1400		161	95.3																																																																																																																																																																																																																																															
YKK560 3-4	1600		183	95.4						YKK560 1-6	900	1000	107	95.0	0.85	1.8	0.7	6.5	108	YKK560 2-6	1000	119	95.1	YKK560 3-6	1120	133	95.2	YKK560 1-8	630	750	78.2	94.5	0.82	1.8	0.7	6.0	110	YKK560 2-8	710	80.0	94.6	105	YKK560 3-8	800	99.1	94.7	YKK560 1-10	500	600	65.9	93.6	0.78	1.8	0.7	6.0	102	YKK560 2-10	560	600	73.7	93.7	0.80	1.8	0.7	6.0	105	YKK560 3-10	630	82.8	93.8	YKK560 4-10	710	93.1	94.0	YKK560 1-12	355	500	49.6	93.0	0.74	1.8	0.7	6.0	102	YKK560 2-12	400	500	55.7	93.3	0.75	1.8	0.7	6.0	102	YKK560 3-12	450	62.6	93.4	YKK560 4-12	500	69.4	93.7																																																																																																																																													
YKK560 1-6	900	1000	107	95.0	0.85	1.8	0.7	6.5	108																																																																																																																																																																																																																																										
YKK560 2-6	1000		119	95.1																																																																																																																																																																																																																																															
YKK560 3-6	1120		133	95.2						YKK560 1-8	630	750	78.2	94.5	0.82	1.8	0.7	6.0	110	YKK560 2-8	710	80.0	94.6	105	YKK560 3-8	800	99.1	94.7	YKK560 1-10	500	600	65.9	93.6	0.78	1.8	0.7	6.0	102	YKK560 2-10	560	600	73.7	93.7	0.80	1.8	0.7	6.0	105	YKK560 3-10	630	82.8	93.8	YKK560 4-10	710	93.1	94.0	YKK560 1-12	355	500	49.6	93.0	0.74	1.8	0.7	6.0	102	YKK560 2-12	400	500	55.7	93.3	0.75	1.8	0.7	6.0	102	YKK560 3-12	450	62.6	93.4	YKK560 4-12	500	69.4	93.7																																																																																																																																																															
YKK560 1-8	630	750	78.2	94.5	0.82	1.8	0.7	6.0	110																																																																																																																																																																																																																																										
YKK560 2-8	710		80.0	94.6					105																																																																																																																																																																																																																																										
YKK560 3-8	800		99.1	94.7					YKK560 1-10	500	600	65.9	93.6	0.78	1.8	0.7	6.0	102	YKK560 2-10	560	600	73.7	93.7	0.80	1.8	0.7	6.0	105	YKK560 3-10	630	82.8	93.8	YKK560 4-10	710	93.1	94.0	YKK560 1-12	355	500	49.6	93.0	0.74	1.8	0.7	6.0	102	YKK560 2-12	400	500	55.7	93.3	0.75	1.8	0.7	6.0	102	YKK560 3-12	450	62.6	93.4	YKK560 4-12	500	69.4	93.7																																																																																																																																																																																			
YKK560 1-10	500	600	65.9	93.6	0.78	1.8	0.7	6.0	102																																																																																																																																																																																																																																										
YKK560 2-10	560	600	73.7	93.7	0.80	1.8	0.7	6.0	105																																																																																																																																																																																																																																										
YKK560 3-10	630		82.8	93.8																																																																																																																																																																																																																																															
YKK560 4-10	710		93.1	94.0						YKK560 1-12	355	500	49.6	93.0	0.74	1.8	0.7	6.0	102	YKK560 2-12	400	500	55.7	93.3	0.75	1.8	0.7	6.0	102	YKK560 3-12	450	62.6	93.4	YKK560 4-12	500	69.4	93.7																																																																																																																																																																																																														
YKK560 1-12	355	500	49.6	93.0	0.74	1.8	0.7	6.0	102																																																																																																																																																																																																																																										
YKK560 2-12	400	500	55.7	93.3	0.75	1.8	0.7	6.0	102																																																																																																																																																																																																																																										
YKK560 3-12	450		62.6	93.4																																																																																																																																																																																																																																															
YKK560 4-12	500		69.4	93.7																																																																																																																																																																																																																																															

性能数据 Performance Data

6KV 50Hz

型号 Type	额定功率 kW	同步转速 r/min	满载时 Full Load			最大转矩 额定转矩 Breakdown Torque Rated Torque	堵转转矩 额定转矩 Locked Rotor Torque Rated Torque	堵转电流 额定电流 Locked Rotor Current Rated Current	噪声 Sound Power dB(A)
			电流 Current A	效率 Eff. %	功率因数 Power Factor cos Φ				
			YKK630 1-4	1800	1500				
YKK630 2-4	2000	229	95.6						
YKK630 3-4	2240	256	95.7						
YKK630 1-6	1250	1000	147	95.3	0.86	1.8	0.7	6.5	110
YKK630 2-6	1400		164	95.4					
YKK630 3-6	1600		187	95.5					
YKK630 1-8	900	750	109	94.8	0.86	1.8	0.7	6.0	105
YKK630 2-8	1000		121	94.9					
YKK630 3-8	1120	750	135	95.0	0.84	1.8	0.7	6.0	107
YKK630 4-8	1250		151	95.1					
YKK630 1-10	800	600	102	94.2	0.80	1.8	0.7	6.0	105
YKK630 2-10	900		115	94.3					
YKK630 3-10	1000	600	127	94.4	0.80	1.8	0.7	6.0	105
YKK630 4-10	1120		142	94.6					
YKK630 1-12	560	500	75.6	93.8	0.76	1.8	0.7	6.0	105
YKK630 2-12	630		84.9	93.9					
YKK630 3-12	710	500	95.6	94.0	0.76	1.8	0.7	6.0	105
YKK630 4-12	800		108	94.2					

性能数据 Performance Data

10KV 50Hz

型号 Type	额定功率 kW	同步转速 r/min	满载时 Full Load			最大转矩 额定转矩 Breakdown Torque Rated Torque	堵转转矩 额定转矩 Locked Rotor Torque Rated Torque	堵转电流 额定电流 Locked Rotor Current Rated Current	噪声 Sound Power dB(A)
			电流 Current A	效率 Eff. %	功率因数 Power Factor cos Φ				
			YKK450S1-4	185	1500				
YKK450S2-4	200	14.7	92.3						
YKK450S3-4	220	1500	16.2	92.4	0.85	1.8	0.7	7.0	104
YKK450S4-4	250		18.3	92.6					
YKK450 1-4	280	1500	20.3	92.7	0.86	1.8	0.7	7.0	104
YKK450 2-4	315		22.7	93.2					
YKK450 3-4	355	1500	25.5	93.5	0.86	1.8	0.7	7.0	106
YKK450 4-4	400		28.7	93.6					
YKK450 5-4	450		32.2	93.8					
YKK450S1-6	185	1000	14.2	92.0	0.82	1.8	0.7	6.0	101
YKK450S2-6	200		15.3	92.1					
YKK450S3-6	220		16.8	92.3					

性能数据 Performance Data

10KV 50Hz

型号 Type	额定功率 kW	同步转速 r/min	满载时 Full Load			最大转矩 额定转矩 Breakdown Torque Rated Torque	堵转转矩 额定转矩 Locked Rotor Torque Rated Torque	堵转电流 额定电流 Locked Rotor Current Rated Current	噪声 Sound Power dB(A)
			电流 Current A	效率 Eff. %	功率因数 Power Factor cosΦ				
YKK450 1-6	250	1000	19.1	92.4	0.82	1.8	0.7	6.0	101
YKK450 2-6	280		21.0	92.7	0.83				103
YKK450 3-6	315	1000	23.6	92.8	0.83	1.8	0.7	6.0	103
YKK450 4-6	355		26.5	93.1					
YKK450 1-8	185	750	15.2	92.2	0.76	1.8	0.7	6.0	97
YKK450 2-8	200		16.4	92.4					
YKK450 3-8	220		18.1	92.5					
YKK500 1-4	500	1500	35.3	94.0	0.87	1.8	0.7	7.0	106
YKK500 2-4	560		39.5	94.2					108
YKK500 3-4	630	1500	44.3	94.4	0.87	1.8	0.7	7.0	108
YKK500 4-4	710		49.6	95.0					
YKK500 5-4	800		55.8	95.1					
YKK500 1-6	400	1000	29.8	93.3	0.83	1.8	0.7	6.0	103
YKK500 2-6	450		33.5	93.5					
YKK500 3-6	500	1000	37.0	93.9	0.83	1.8	0.7	6.0	106
YKK500 4-6	560		40.9	94.1					0.84
YKK500 1-8	250	750	20.2	92.6	0.77	1.8	0.7	6.0	97
YKK500 2-8	280		22.6	92.7					
YKK500 3-8	315	750	25.5	92.8	0.77	1.8	0.7	6.0	99
YKK500 4-8	355		28.6	93.1					
YKK500 5-8	400		31.8	93.2					
YKK500 1-10	185	600	15.9	91.9	0.73	1.8	0.7	5.5	97
YKK500 2-10	200		17.2	92.0					
YKK500 3-10	220	600	18.6	92.1	0.74	1.8	0.7	5.5	97
YKK500 4-10	250		21.2	92.2					
YKK500 5-10	280	600	23.6	92.4	0.74	1.8	0.7	5.5	97
YKK500 6-10	315		26.5	92.6					99
YKK500 1-12	185	500	15.9	91.8	0.73	1.8	0.7	5.5	97
YKK500 2-12	200		17.2	91.9					
YKK500 3-12	220		18.9	92.0					
YKK560 1-4	900	1500	62.0	95.2	0.88	1.8	0.7	7.0	108
YKK560 2-4	1000		68.8	95.3					
YKK560 3-4	1120		77.0	95.4					109

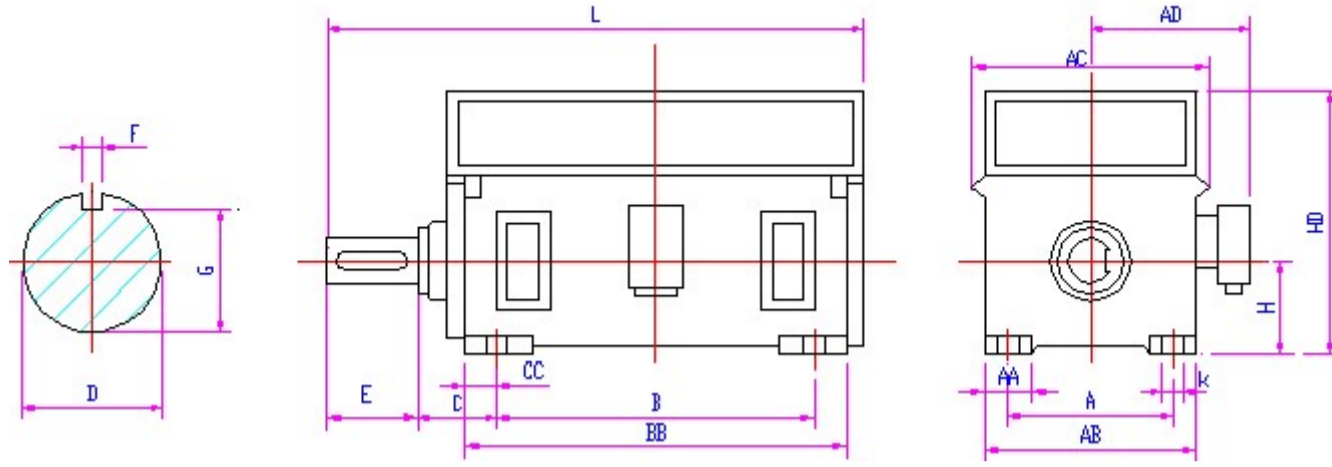
性能数据 Performance Data

10KV 50Hz

型号 Type	额定功率 kW	同步转速 r/min	满载时 Full Load			最大转矩 额定转矩 Breakdown Torque Rated Torque	堵转转矩 额定转矩 Locked Rotor Torque Rated Torque	堵转电流 额定电流 Locked Rotor Current Rated Current	噪声 Sound Power dB(A)
			电流 Current A	效率 Eff. %	功率因数 Power Factor cos Φ				
YKK560 1-6	630	1000	45.9	94.4	0.84	1.8	0.7	6.0	106
YKK560 2-6	710		51.6	94.6					
YKK560 3-6	800		58.1	94.7					
YKK560 1-8	450	750	35.7	93.4	0.78	1.8	0.7	6.0	99
YKK560 2-8	500		39.0	93.8					
YKK560 3-8	560	750	43.6	93.9	0.79	1.8	0.7	6.0	101
YKK560 4-8	630		46.4	94.4					
YKK560 1-10	355	600	29.4	92.8	0.75	1.8	0.7	6.0	99
YKK560 2-10	400		33.1	93.0					
YKK560 3-10	450	600	36.2	93.2	0.77	1.8	0.7	6.0	99
YKK560 4-10	500		40.1	93.4					
YKK560 5-10	560		44.3	93.5					0.78
YKK560 1-12	250	500	21.5	92.0	0.73	1.8	0.7	6.0	99
YKK560 2-12	280		24.0	92.1					
YKK560 3-12	315	500	27.0	92.3	0.73	1.8	0.7	6.0	99
YKK560 4-12	355		30.4	92.5					
YKK560 5-12	400		34.1	92.7					
YKK630 1-4	1250	1500	84.9	95.5	0.89	1.8	0.6	7.0	109
YKK630 2-4	1400		94.9	95.7					
YKK630 3-4	1600	1500	108	95.8	0.89	1.8	0.6	7.0	109
YKK630 4-4	1800		122	95.9					
YKK630 1-6	900	1000	64.4	94.9	0.85	1.8	0.6	6.0	106
YKK630 2-6	1000		71.4	95.1					
YKK630 3-6	1120	1000	79.8	95.3	0.85	1.8	0.6	6.0	108
YKK630 4-6	1250		88.0	95.4					
YKK630 1-8	710	750	52.8	94.6	0.82	1.8	0.7	6.0	101
YKK630 2-8	800		59.5	94.7					
YKK630 3-8	900	750	66.8	94.8	0.82	1.8	0.7	6.0	101
YKK630 4-8	1000		73.2	95.0					
YKK630 1-10	630	600	49.8	93.7	0.78	1.8	0.7	6.0	101
YKK630 2-10	710		56.0	93.9					
YKK630 3-10	800	600	61.2	94.3	0.80	1.8	0.7	6.0	101
YKK630 4-10	900		68.7	94.5					
YKK630 1-12	450	500	38.3	92.9	0.73	1.8	0.7	6.0	99
YKK630 2-12	500		42.4	93.2					
YKK630 3-12	560	500	46.7	93.5	0.74	1.8	0.7	6.0	101
YKK630 4-12	630		52.5	93.7					

6kV 电机外形及安装尺寸 Dimensions

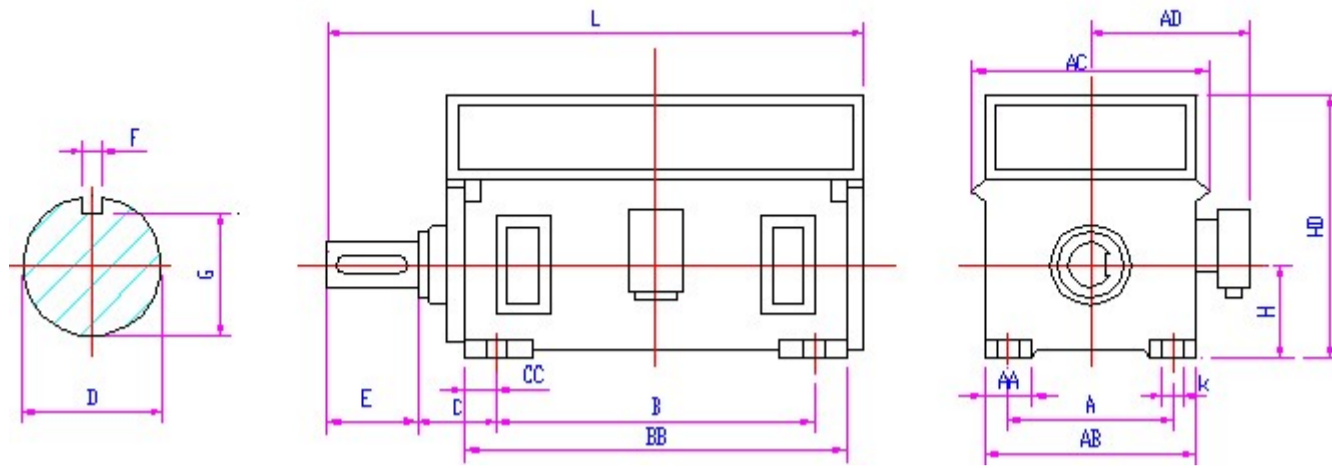
mm



机座 Frame	极数 poles	安装尺寸 Mounting Dimension									外形尺寸 Overall Dimension							
		A	B	C	D	E	F	G	H	K	AA	AB	AC	BB	CC	HD	AD	L
355	4.6	630±1.4	900±1.4	315±4	100 ^{+0.035} _{+0.013}	210±0.57	28 ⁰ _{-0.052}	90 ⁰ _{-0.2}	355 ⁰ _{-1.0}	28 ^{+0.52} ₀	120	745	1120	1260	210	1500	1000	2200
400	4.6.8	710±1.75	1000±1.75	335±4	110 ^{+0.035} _{+0.013}	210±0.57	28 ⁰ _{-0.052}	100 ⁰ _{-0.2}	400 ⁰ _{-1.0}	35 ^{+0.62} ₀	120	845	1260	1360	220	1700	1050	2400
450	4	800±1.75	1120±1.75	355±4	120 ^{+0.035} _{+0.013}	210±0.57	32 ⁰ _{-0.062}	109 ⁰ _{-0.2}	450 ⁰ _{-1.0}	35 ^{+0.62} ₀	130	935	1420	1490	240	1900	1100	2600
	6-12				130 ^{+0.040} _{+0.015}			250±0.57										
500	4	900±2.1	1250±2.1	475±4	130 ^{+0.040} _{+0.015}	250±0.57	32 ⁰ _{-0.062}	119 ⁰ _{-0.2}	500 ⁰ _{-1.0}	42 ^{+0.62} ₀	150	1050	1600	1750	250	2200	1150	2900
	6-12				140 ^{+0.040} _{+0.015}			36 ⁰ _{-0.062}										
560	4	1000±2.1	1400±2.1	500±4	150 ^{+0.035} _{+0.013}	250±0.57	36 ⁰ _{-0.062}	138 ⁰ _{-0.3}	560 ⁰ _{-1.0}	42 ^{+0.62} ₀	160	1200	1800	2000	300	2400	1250	3200
	6-12				160 ^{+0.040} _{+0.015}			300±0.65										
630	4	1120±2.1	1600±2.1	530±4	170 ^{+0.040} _{+0.015}	300±0.65	40 ⁰ _{-0.062}	157 ⁰ _{-0.3}	630 ⁰ _{-1.0}	48 ^{+0.62} ₀	170	1400	2000	2200	300	2700	1300	3500
	6-12				180 ^{+0.040} _{+0.015}			45 ⁰ _{-0.062}										

10kV 电机外形及安装尺寸 Dimensions

mm



型号 Type	安装尺寸 Mounting Dimension									外形尺寸 Overall Dimension							
	A	B	C	D	E	F	G	H	K	AA	AB	AC	BB	CC	HD	AD	L
YKK450-4	800±1.75	1120±1.75	355±4	110 ^{+0.035} _{-0.013}	210±0.57	28 ⁰ _{-0.062}	100 ⁰ _{-0.2}	450 ⁰ _{-1.0}	35 ^{+0.62} ₀	200	980	1300	1670	249	1670	1050	2360
YKK450-6~12																	
YKK500-4	900±2.1	1250±2.1	475±4	120 ^{+0.035} _{-0.013}	210±0.57	32 ⁰ _{-0.062}	109 ⁰ _{-0.2}	500 ⁰ _{-1.0}	42 ^{+0.62} ₀	140	1040	1260	2050	350	2060	965	3000
YKK500-6~12																	
YKK560-4	1000±2.1	1400±2.1	500±4	150 ^{+0.035} _{-0.013}	250±0.57	36 ⁰ _{-0.062}	138 ⁰ _{-0.2}	560 ⁰ _{-1.0}	42 ^{+0.62} ₀	150	1200	1600	2500	370	2400	1100	3300
YKK560-6~12																	
YKK630-4	1120±2.1	1600±2.1	530±4	170 ^{+0.040} _{-0.015}	300±0.65	40 ⁰ _{-0.062}	157 ⁰ _{-0.2}	630 ⁰ _{-1.0}	48 ^{+0.62} ₀	160	1400	1800	2700	400	2700	1200	3600
YKK630-6~12																	

** 所有数据仅供参考，实际情况以实物为准 ALL DATA SUBJECT TO CHANGE WITHOUT NOTICE, USE ONLY CERTIFIED DATA FOR CONSTRUCTION PURCHASES.